

GRINDMASTER

Beverage Dispensing System Hot water dispenser 37.8 L, stainless steel

ITEM # _____

MODEL # _____

NAME # _____

SIS # _____

AIA # _____



600646 (ME10ENCE)

Hot water dispenser, 37.8 lt,
stainless steel, 1 PH

600828 (ME10EN3PHCE)

Hot water dispenser, 37.8 lt,
stainless steel, 3 PH

Short Form Specification

Item No. _____

Hot water dispenser, 37.8 l, stainless steel. Electronic solid state water level control for automatic refill. Precision multi-setting thermostat with hold setting. Dial thermometer for exact temperature reading. "No Drip" faucet with sight glass and water shut off. Constructed entirely in 304 AISI stainless steel.

APPROVAL: _____

Main Features

- Electronic solid state water level control for automatic fill.
- Multi-setting thermostat with hold setting.
- Dial thermometer for exact temperature reading.
- Ideal for large scale food preparation.

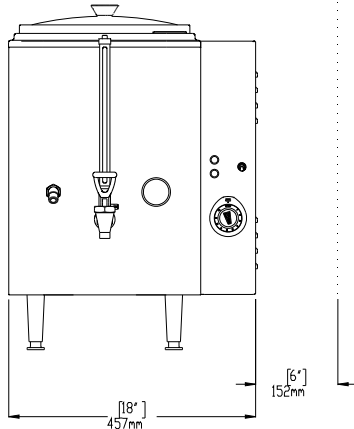
Construction

- Constructed entirely in 304 AISI stainless steel.
- Water level gauge.
- "No Drip" tap with sight glass and water shut off.

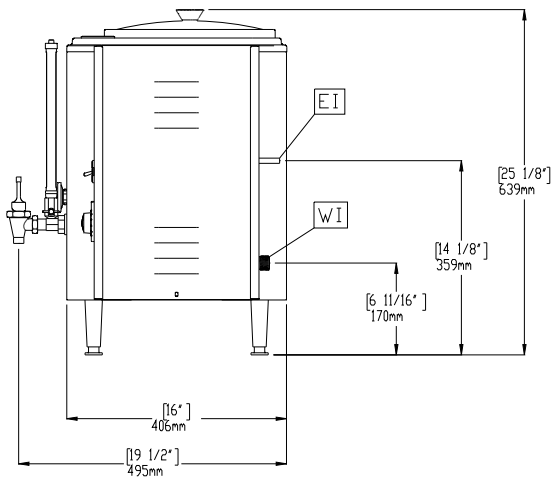
GRINDMASTER

Beverage Dispensing System Hot water dispenser 37.8 L, stainless steel

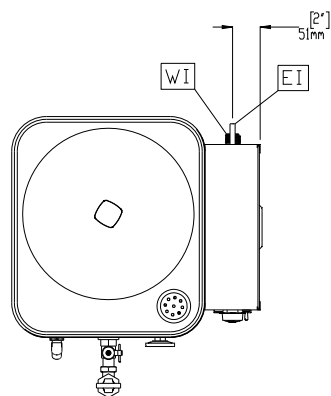
Front



Side



Top



Electric

Supply voltage:

600646 (ME10ENCE)	230 V/1 ph/50 Hz
600828 (ME10EN3PHCE)	400 V/3 ph/50 Hz

Electrical power max.:

600646 (ME10ENCE)	2.7 kW
600828 (ME10EN3PHCE)	7.9 kW

Key Information:

External dimensions, Width:	457 mm
External dimensions, Depth:	508 mm
External dimensions, Height:	660 mm
Net weight:	19 kg
Shipping weight:	21 kg
Shipping height:	635 mm
Shipping width:	660 mm
Shipping depth:	559 mm

Beverage Dispensing System Hot water dispenser 37.8 L, stainless steel

The company reserves the right to make modifications to the products without prior notice. All information correct at time of printing.

